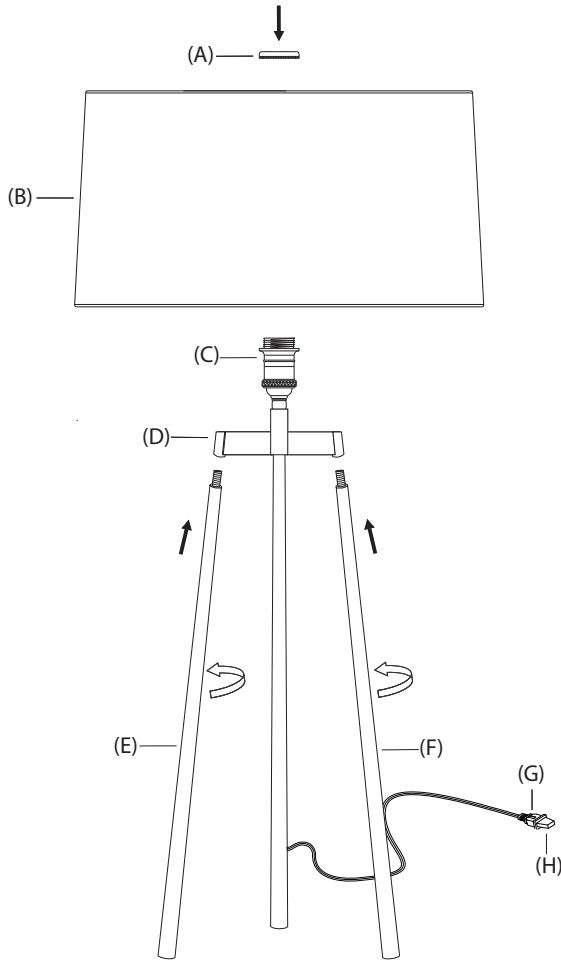


ASSEMBLY INSTRUCTIONS FOR YOUR

SHINTO TABLE LAMP



IMPORTANT SAFETY INSTRUCTIONS

This portable lamp has a polarized plug (one blade is wider than the other) as a feature to reduce risk of electric shock, this plug will fit in a polarized outlet only one way. If it does not fit fully in the outlet, reverse the plug. If it still does not fit, contact a qualified electrician. Never use with an extension cord unless the plug can be fully inserted. DO NOT ALTER THE PLUG.

Turn the power off (remove electrical plug from wall outlet) before replacing light bulb, making sure the bulb has had sufficient time to cool down. Do not subject the lamp to any shock while lit as shattering of bulb may result.

ASSEMBLY INSTRUCTIONS:

NOTE: Do not connect the electricity until lamp is fully assembled.

1. Unpack all parts and remove packing materials. Do not throw away any parts.
2. Lay housing (D) on a level surface. Align legs (E and F) with threaded openings in housing (D)
3. Insert leg (E) into threaded opening in housing (D). Turn until hand tight. Repeat step for leg (F).
4. Turn lamp into upright position.
5. Remove flange (A) from threaded socket (C).
6. Slide center ring of shade spider (located inside shade (B)) over threaded Socket (C).
7. Install one (1) 150W max. Type A, medium base bulb into socket.
8. Remove protective plastic (H) from polarized plug (G).
9. Insert polarized plug (G) into wall outlet.

** To clean, use a soft cloth only. Do not use chemical or abrasive cleaners. **