

WILLIAMSBURG

RANDOLPH

CG997

Table Lamp

1-150W Max.

Bulb Type: A

Switch: Hi-Lo Dimming

Carter Gray Glazed Ceramic

w/ Polished Nickel Metal Parts

Lucite Base

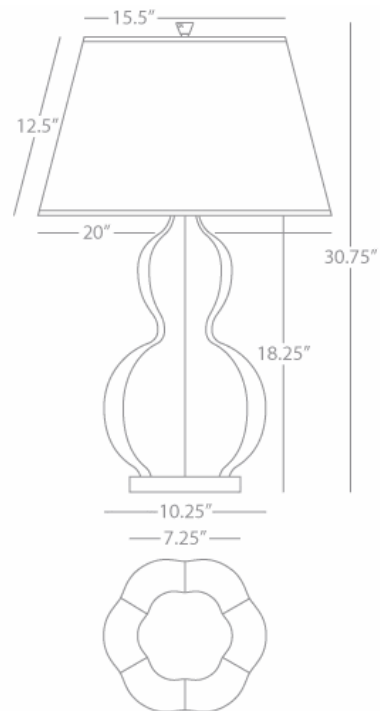
Pearl Dupoini Fabric Shade



BASE OPTION:

CG998 - Walnut Wood Base

Antique Brass Metal Parts



**** Available for Quick SHIP ****